



# Barometric Pressure Transmitter E2407

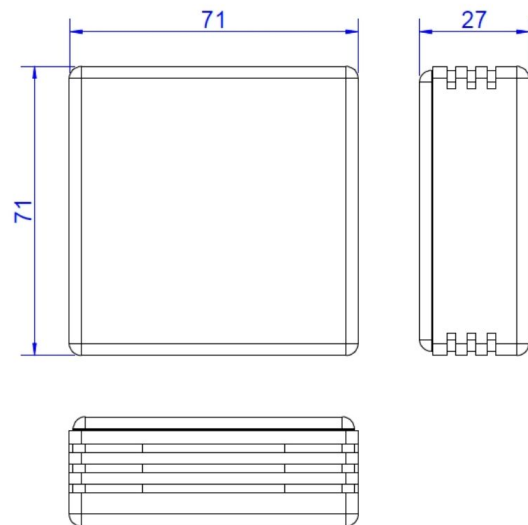


## Features

- Excellent repeatability and stability
- Fully calibrated and temperature compensated
- Compact indoors wall-mount housing
- Two analog outputs settable to 0-10 V or 4-20 mA
- RS485 Modbus RTU digital interface

## Specifications

Sensors	Digital combined P and T sensors
Measurement ranges	450...1100 hPa, -20...+70 °C
Resolution	0,1 hPa / 0,1 °C
Accuracy	±1,5 hPa, ±0,8 °C
Long term stability	< 1 hPa / year
Sampling interval	0,5...32000 seconds
Response time	~1 second
Self-diagnostics	Full functionality check at start-up
Warm-up time	≤ 1 s
Power supply	11...30 VDC, nominal 12 / 24 VDC
Power consumption	< 1,5 W
Digital interface	RS485, Modbus RTU protocol
Analog outputs	2 × 4-20 mA / 0-10 V, user settable
Enclosure	White plastic with ventilation slots, wall mount, protection class IP20
Cable connections	Pluggable screw terminal blocks
Dimensions	H71 × W71 × D27 mm
Operating environment	Residential, business and industrial indoor spaces
Operating conditions	-20...+70 °C, <95 %RH, without condensation



### Jumpers

<b>J1</b>	OUT1 type (open: 4-20 mA; closed 0-10 V)
<b>J2</b>	OUT2 type (open: 4-20 mA; closed 0-10 V)
<b>X6</b>	Reset Modbus network parameters to default

### X4 terminals

<b>OUT1</b>	4-20 mA / 0-10 V output
<b>OUT2</b>	4-20 mA / 0-10 V output
<b>0V</b>	0 V / 24 VAC Neutral (optional)
<b>A</b>	RS485 A / Data +
<b>B</b>	RS485 B / Data -
<b>+U</b>	+24 VDC / 24 VAC Phase (optional)

## Connection diagram

