

Low Differential Pressure Transmitter E2418DP

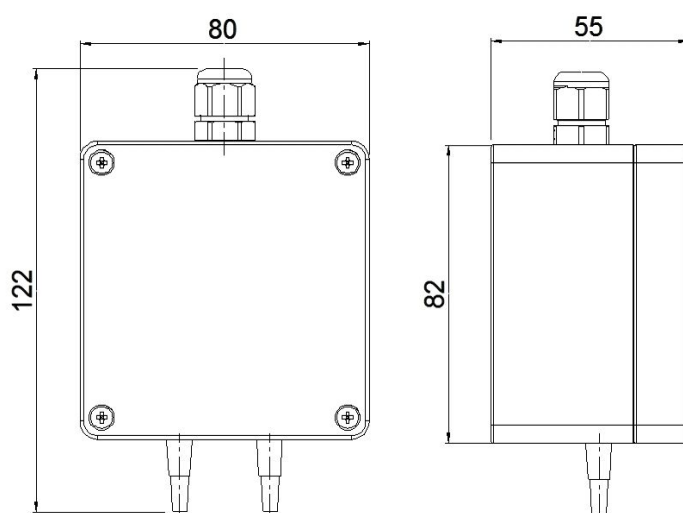


Features

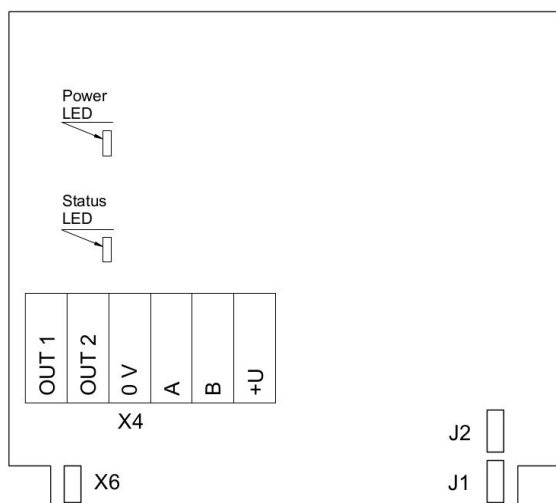
- Ranges from 0...+250 Pa to -10...+10 kPa
- High accuracy, repeatability and zero stability
- Fully calibrated and temperature compensated
- Two analog outputs settable to 4-20 mA or 0-10 V
- RS485 Modbus RTU digital interface

Specifications

Measured media	Dry clean air without dust, oil, mist, or aggressive compounds	
Versions	E2418DP-1K	E2418DP-10K
	resolution	1 Pa (0,01 mbar) 10 Pa (0,1 mbar)
	max range	-1...+1 kPa (-10...+10 mbar) -10...+10 kPa (-100...+100 mbar)
	max overpressure	10 kPa (0,1 bar) 80 kPa (0,8 bar)
	total accuracy	±20 Pa (0,2 mbar) ±200 Pa (2 mbar)
	zero point stability	< 5 Pa / year < 50 Pa / year
Temperature effect	Compensated within -5...+65 °C range	
Power supply	12...36 VDC (default)	
	24 VAC as option	
Power consumption	< 1 W	
Digital interface	RS485, Modbus RTU protocol	
Analog outputs	2 × 4-20 mA / 0-10 V, user switchable	
Analog output scales	Freely adjustable within range	
Standard output scales	0 - 250 Pa, -250 - +250 Pa,	
	0 - 500 Pa, -500 - +500 Pa,	
	0 - 1,0 kPa, -1,0 - +1,0 kPa	
	0 - 2,5 kPa, -2,5 - +2,5 kPa,	
	0 - 5,0 kPa, -5,0 - +5,0 kPa,	
	0 - 10 kPa, -10 - +10 kPa	
Enclosure	Grey ABS plastic, wall mount,	
protection class	IP65	
Dimensions	H122 × W80 × D55 mm	
Pressure ports	Ø4,0...7,0 mm, for 4 or 6 mm air hose	
Operating environment	Business and industrial spaces	
Operating conditions	-20...+70 °C, <99 %RH	



Connection diagram



PCB without PSU and relays

Jumpers

- J1** OUT1 type (open: 4-20 mA; closed 0-10 V)
J2 OUT2 type (open: 4-20 mA; closed 0-10 V)
X6 Reset Modbus network parameters to default

X4 terminals

- OUT1** 4-20 mA / 0-10 V output
OUT2 4-20 mA / 0-10 V output
0V 0 V / 24 VAC Neutral (optional)
A RS485 A / Data +
B RS485 B / Data -
+U +24 VDC / 24 VAC Phase (optional)