



MMT162 Compact Moisture in Oil and Temperature Transmitter

for OEM Applications



Features

- Continuous measurement of moisture in oil
- Measures in lubrication, hydraulic and transformer oils
- Excellent pressure and temperature tolerance
- Proven Vaisala HUMICAP® Sensor, 15 years in oil applications
- Measures water activity - ppm-calculation available for transformer oil
- Digital output RS-485 with Modbus
- Traceable calibration (certificate included)

Vaisala HUMICAP® Moisture and Temperature Transmitter for Oil MMT162 is an excellent economical solution for reliable on-line detection of moisture in oil.

Benefits

- Reliable
- Durable
- Small size, easy to integrate

Reliable Vaisala HUMICAP® Technology

MMT162 incorporates the latest generation of the Vaisala HUMICAP Sensor. The sensor is developed for demanding moisture measurement in liquid hydrocarbons and has been successfully used in oil applications for over a decade. The sensor's excellent chemical tolerance provides accurate and reliable measurement over the measurement range.

Water Activity Measurement

MMT162 measures moisture in oil in terms of the water activity (aw) and temperature (T). Water activity directly indicates whether there is a risk of free water formation. The measurement is independent of oil type, age and temperature. The ppm calculation for mineral oil based transformer oil is optional in MMT162.

Several Outputs - One Connector

MMT162 has two analog outputs that can be scaled and the measurement ranges changed. Additionally, the transmitter has an RS-485 serial output. The signals and the unit power travel in the same cable.

An optional LED cable enables a visual alarm.

Compact, Rugged and Intelligent

Due to its compact size, MMT162 is quickly and easily installed in tight spaces. Units are delivered fully assembled, however, you can reconfigure them to suit your needs.

MM70

In combination with an MM70 indicator, MMT162 provides an ideal tool for on site calibration. The MM70 indicator can be used as a display, communication, and datalogging device for the MMT162.

Technical Data

Measurement Performance

Water Activity

Measurement range	0 ... 1 aw
Accuracy (including Non-Linearity, Hysteresis and Repeatability):	
0 ... 0.9	± 0.02
0.9 ... 1.0	± 0.03
Response time in oil flow (typical)	< 1 min (dry-wet)

Temperature

Accuracy at +20 °C (+68 °F)	± 0.2 °C (0.36 °F)
-----------------------------	--------------------

Moisture

Calculated moisture content in ppm for mineral transformer oil

Operating Environment

EMC compliance	EN61326-1, Industrial Environment
Operating temperature	-40 ... +60 °C (-40 ... +140 °F)
Storage temperature	-40 ... +80 °C (-40 ... +176 °F)
Oil temperature	-40 ... +80 °C (-40 ... +176 °F)
Oil flow	Some flow recommended
Pressure range, metal version	Up to 200 bar
Pressure range, plastic version	Up to 40 bar

Inputs and Outputs

Alarm level indication by analog signal	User selectable
Digital outputs	RS-485, non-isolated, Vaisala protocol, Modbus RTU protocol
Analog current output	0 ... 20 mA, 4 ... 20 mA
Analog voltage output	0 ... 5 V, 0 ... 10 V

Mechanical Specifications

Sensor	HUMICAP®
Cable connections (2 ports)	M8, 4 pin
Minimum Operating Voltage with	
RS-485 output	14 ... 28 VDC
Voltage output	16 ... 28 VDC
Current output	22 ... 28 VDC
Supply Current	
Normal measurement	20 mA + load current
External Load for	
Voltage output	Min. 10 kΩ
Current output	Max. 500 Ω
Housing Material	
Metal	AISI 316L
Plastic	PPS + 40 % GF
IP rating	IP66 (IP65 with plastic housing)
Mechanical Connections with Bonded Seal Ring (Washer)	
Metal version	G 1/2" ISO or NPT 1/2"
Plastic version	G 1/2" ISO
Weight	
With plastic housing	65 g (2.3 oz)
With metal housing	200 g (7 oz)

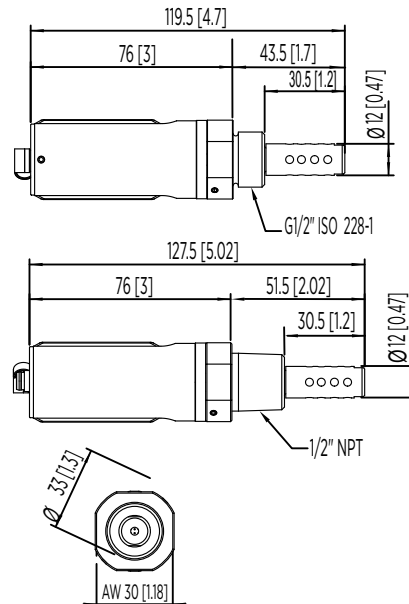
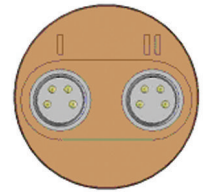
Spare Parts and Accessories

Stainless steel filter (standard)	225356SP
Stainless steel filter for high flow (> 1 m/s)	221494SP
Connection cable for MM70 hand-held meter	219980
USB serial interface cable	219690
Sealing ring set (U-seal) ISO G1/2, 3 pcs	221525SP
Sealing ring set (copper) ISO G1/2, 3 pcs	221524SP
ISO 1/2" plug	218773
NPT 1/2" plug	222507
Sampling cell	DMT242SC
Sampling cell with Swagelok connectors	DMT242SC2

Connection Cables

2 m (6.5 ft), M8 snap-on	211598
0.32 m (1 ft) Shielded, M8 threaded	HMP50Z032
3.0 m (9.8 ft), Shielded, M8 threaded	HMP50Z300SP
5.0 m (16.4 ft), Shielded, M8 threaded	HMP50Z500SP
10 m (32.8 ft), Shielded, M8 threaded	HMP50Z1000SP
3 m, connector 90° angle	221739
5 m, connector 90° angle	221740
M8 threaded, Ch1 signal + Ch2 LED	MP300LEDCBL

Pin	I	II
1	V _{supply}	V _{supply}
2	Ch 1	RS-485 - / B
3	GND	GND
4	Ch 2	RS-485 + / A



Dimensions in millimeters (inches)



Published by Vaisala | B210755EN-G © Vaisala 2017

All rights reserved. Any logos and/or product names are trademarks of Vaisala or its individual partners. Any reproduction, transfer, distribution or storage of information contained in this document is strictly prohibited. All specifications — technical included — are subject to change without notice.



www.vaisala.com