

# VRC

## Electronic Vacuum Switch Absolute Pressure 1200 to 5 mbar

The VRC electronic vacuum switch can be used as a security switch or for directly switching a pump or valve in the rough vacuum range.

An additional recorder output allows a continuous monitoring of the process.

The IP54 category housing ensures protection in rough environmental conditions.



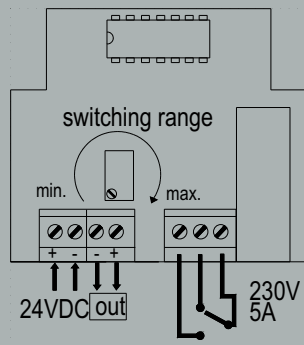
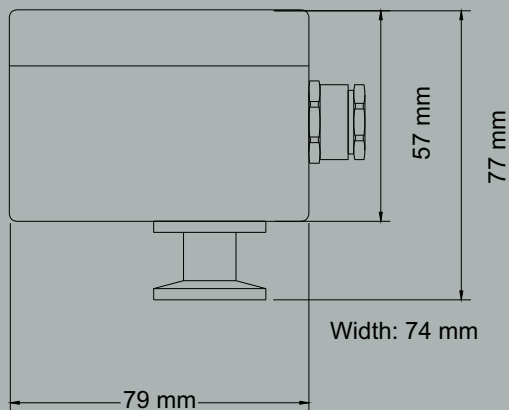
### Typical Applications

- Control of vacuum appliances
- Operational control of vacuum pumps and plants
- Security switching
- Additional pump switching
- Pressure control in the rough vacuum range, e. g. for vacuum furnaces or control and regulation boards
- Process engineering
- Plant construction

### Benefits

- Chemically resistant ceramic sensor with FKM sealing, FFKM sealing on request
- Dry relay switch point (switch-over relay)
- High reliability
- Excellent reproducibility
- After detaching the top the switch point is exactly adjustable over the whole range by means of a potentiometer
- Connection to vacuum source by KF small flange or G1/4 female thread
- Robust metal housing with IP54 protection class





## Technical Data

Measuring Principle	Piezo resistive, independent of gas type
Materials In Contact With Vacuum	Stainless steel 1.4305, Al <sub>2</sub> O <sub>3</sub> , FKM (FFKM on request)
Measurement Range	1200 - 5 mbar (1050 - 4 Torr), max. overpressure: 4 bar absolute
Accuracy	+0.3% full scale
Setting Time	20 ms
Power Supply	18 - 30 VDC
Electrical Connection	Phoenix screw terminals
Power Consumption	Without relay 50 mA, with relay 70 mA
Operating Temperature	0...+40°C
Storage Temperature	-10...+60°C
Recorder Output	Actual value 10 mV/mbar, 5 mA
Switch Point	Set point output 0 - 1.2 V (1 mv / mbar), alternating relay contact 230 V, 5 A, hysteresis 7 mbar (standard, others on request)
Vacuum Connection	Stainless steel small flange DN 16 ISO-KF, G <sub>1</sub> / <sub>4</sub> female thread
Protection Class	IP54
Weight	Approx. 450 g

## Product Codes

- **VRC**  
Electronic vacuum switch,  
1200 to 5 mbar, vacuum connection  
small flange DN 16 ISO-KF with G<sub>1</sub>/<sub>4</sub>  
female thread, stainless steel